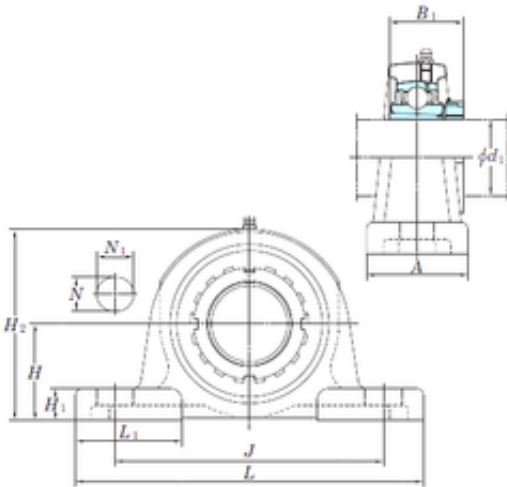




ISO BEARING-SINGAPORE (PTE)LTD.

KOYO UKP217 bearing units

Bearing No. UKP217



UKP217 Bearing 2D drawings and 3D CAD models

Bore Diameter	76,2 mm
Width	95,2 mm
d	76,2 mm
A	83 mm
B1	63 mm
H	95,2 mm
H1	32 mm
H2	185 mm
J	247 mm
L	310 mm
L1	90 mm
N	25 mm
N1	40 mm
Bolt (G)	M20
Weight	11 Kg
Basic dynamic load rating (C)	84 kN
Basic static load rating (C0)	61,9 kN
Bearing No.	UKP217
Bolt size	M20
Cr	84.0
C0r	61.9
f0	14.5
B	63
S	11.0
(Refer.)Unit mass(kg)	R1/8